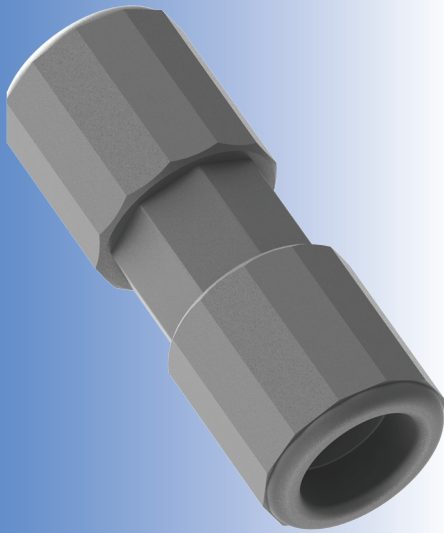


Straight Couplers Polyamide

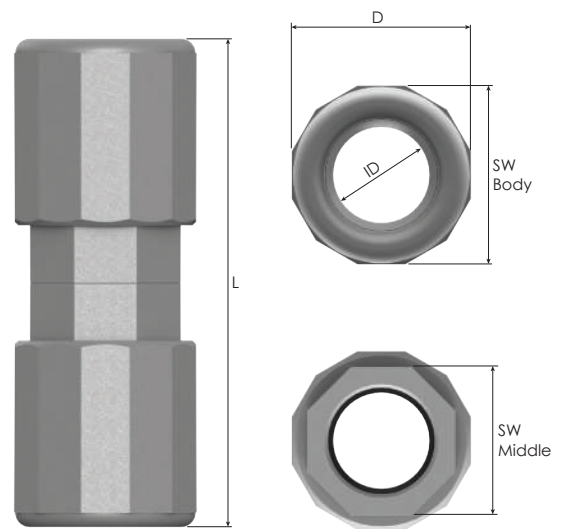


Straight Coupling

- Halogen free.
- No toxic fumes when involved in a fire.
- For connecting two conduit tubes.

Technical Details

Material	Fitting	Polyamide 6 Halogene free
	Seal	TPE Halogene free
Ingress Protection Rating	IP 67	
Operating Temperature	Permanent	
		-20 °C to +80 °C



Straight Couplers

Size	For Conduit Nominal Size	Spanner Width		Outer Ø	Inner Ø	Height	Part Number	Minimum Order Quantity
		Body	Middle					
		SW Body mm	SW Middle mm	D mm	ID mm	L mm	RAL 7035 light grey	
M16	16,0	26	21	26,3	16,3	68,8	BRCC-01	1000
M20	20,0	30	25	31,4	20,3	67,3	BRCC-02	650
M25	25,0	35	30	36,0	25,3	69,0	BRCC-03	600
M32	32,0	42	37	43,5	32,2	69,5	BRCC-04	400
M40	40,0	50	45	52,0	40,4	85,0	BRCC-05	250
M50	50,0	62	55	63,3	50,0	84,5	BRCC-06	150